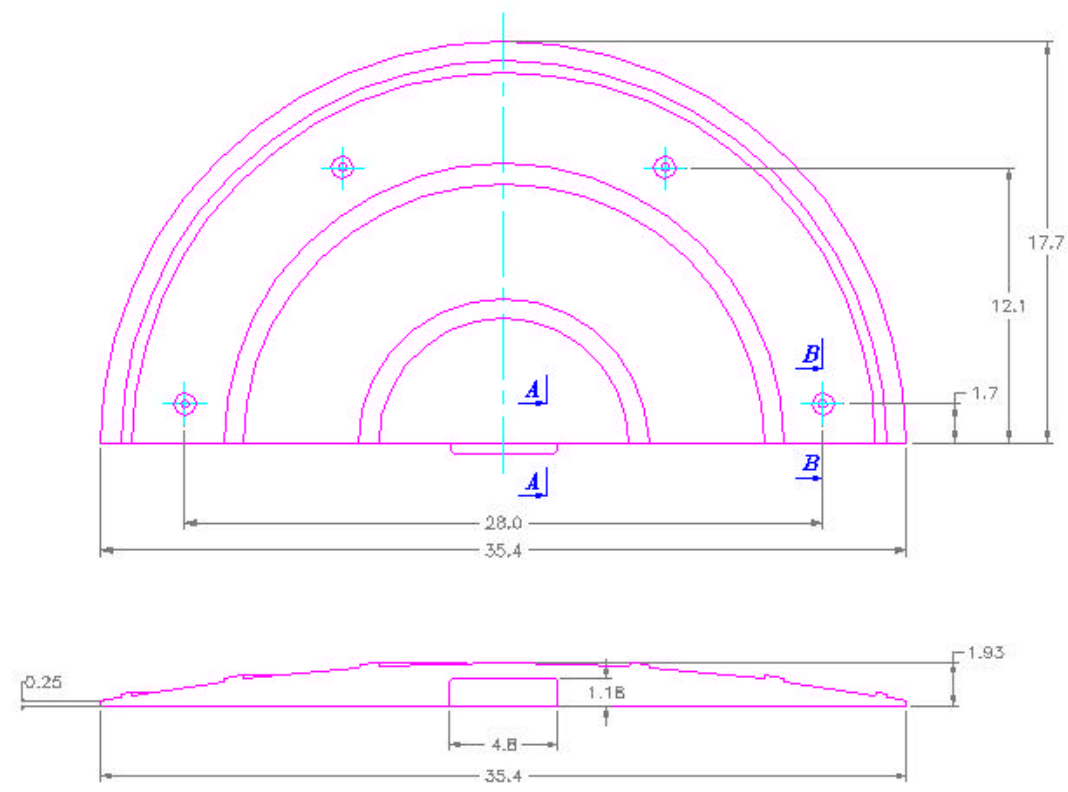
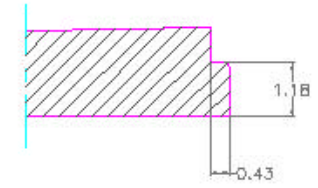


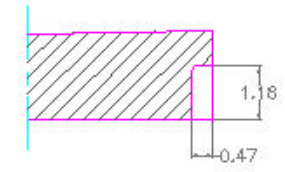
REVISIONS		
REV.	DESCRIPTION	DATE



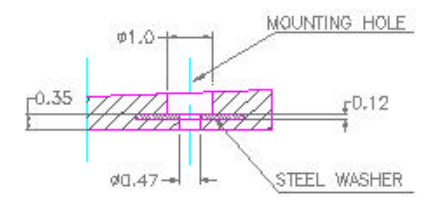
SECTION A-A (MALE END)
SCALE 1=2



SECTION A-A (FEMALE END)
SCALE 1=2



SECTION B-B
SCALE 1=2



PRODUCT SPECIFICATIONS:

1. MATERIAL: RUBBER
2. DIMENSIONS: 17.7 x 35.4" (450mm x 900mm)
3. WEIGHT: 33 LBS.
4. INSTALLATION: FOUR 3/8" LAG BOLTS WITH FLAT WASHERS AND PLASTIC SHIELDS

THIS DRAWING IS THE PROPERTY OF GHR TECHNOLOGIES INC. AND MAY NOT BE REPRODUCED, PHOTOCOPIED, BLENDED, OR OTHERWISE USED FOR MANUFACTURE WITHOUT WRITTEN PERMISSION FROM GHR TECHNOLOGIES INC.

UNLESS OTHERWISE SPECIFIED : DIMENSIONS ARE IN INCHES		GHR TECHNOLOGIES INC.		
DECIMALS	TOLERANCES	ANGULAR	GH SPEED HUMP - END SECTION	
.x	± 1/8"	±.00°	MODEL: 2" x 35.4" x 18.7"	
.xx	± 1/16"			
DRAWN	S. JONASZ	DATE	AUG. 06/03	
CHECKED		DATE		SCALE 1=4
DESIGN		DATE		DWG NO. - GHSHD2
				SHEET
				SIZE C